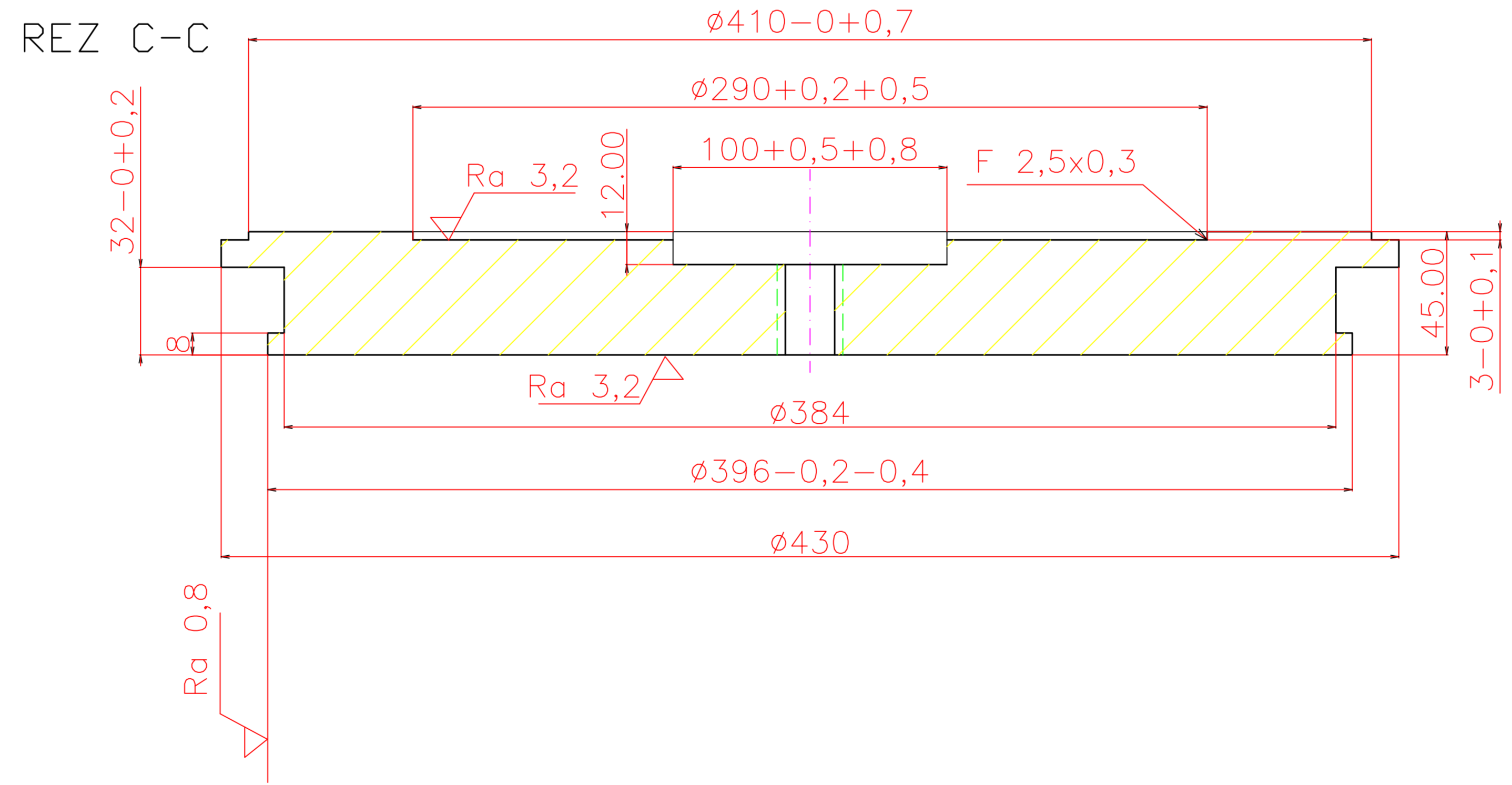
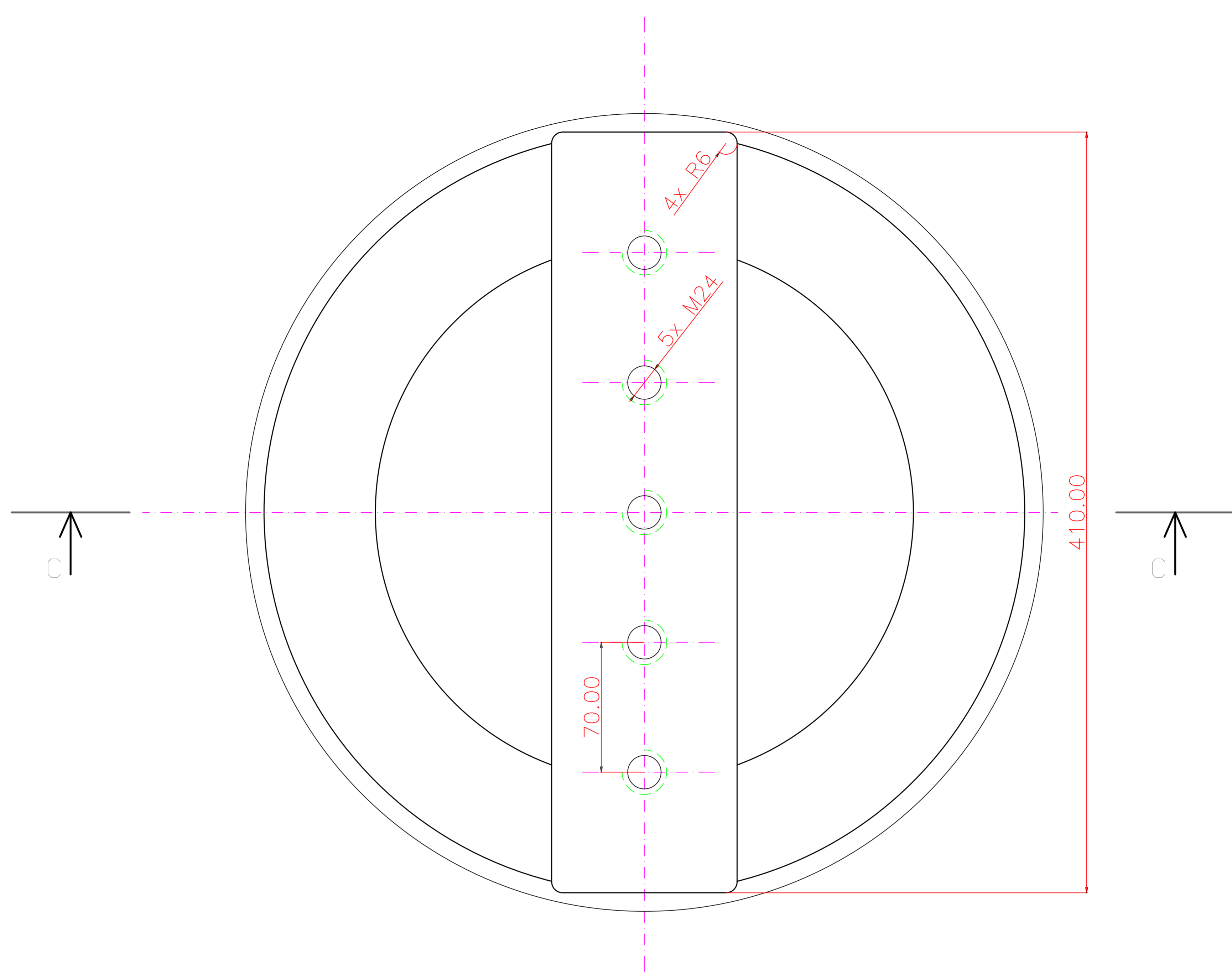


Ra 12,5 (✓)



4. 4.Untolerated dimension according ISO 2768-m
 3. Unmarked edges chamfer to R2 MIN
 Drawing corresponding accuracy class EXC3 PODLA EN 1090-2+A1
 1. Blank part:
 CERTIFIKÁT 3.1 according EN 10204
 Cut according ISO 9013/332 including grinding after cutting
 Surface quality according EN 10163-2
 Ultrasonic test according EN 10160
 Thickness tolerance according EN 10029 A/N

INDEX	CHANGE	DATE	SIGN		
MATERIAL S355J2+N EN 10025-2				MASS kg	51
STAPLE PL 50x 440				SCALE	1 : 1
HELP DEVICE				NOTES	RELATING PIECE LIST
CREATED BY BURYSEK				APPROVED	OLD DRAWING
CHECKED BY Ing. VEVRKA					
TECHNOLOGY BURYSEK					
NAME				PD Ocz-001_3	
RELATING NAMES				LIST OF	